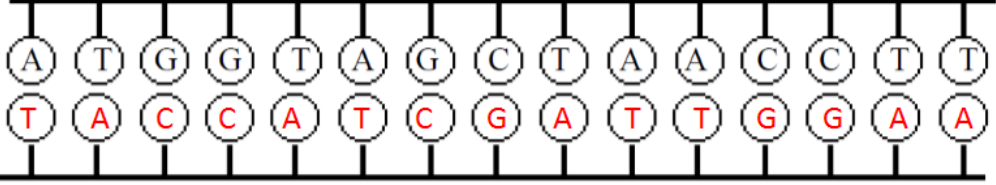
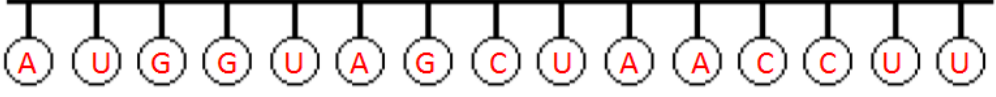



Protein Synthesis Worksheet


Directions:

- 1st Fill in the complimentary DNA strand using DNA base pairing rules.
- 2nd Fill in the correct mRNA bases by transcribing the bottom DNA code.
- 3rd Translate the mRNA codons and find the correct amino acid using the Codon Table
- 4th Write in the amino acid and the correct anti-codon the tRNA molecule.
- 5th The answer to the questions about protein synthesis below the amino acids.

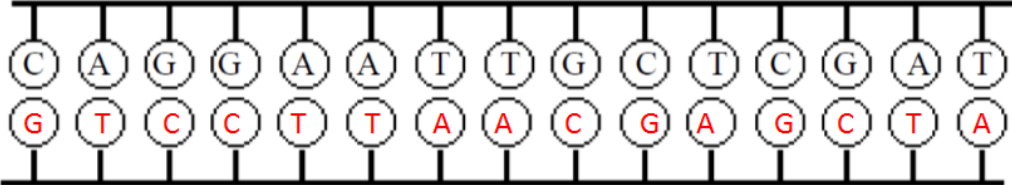
1.  **DNA**

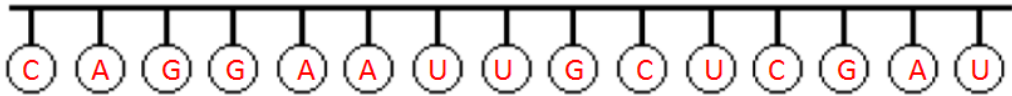
2.  **mRNA**

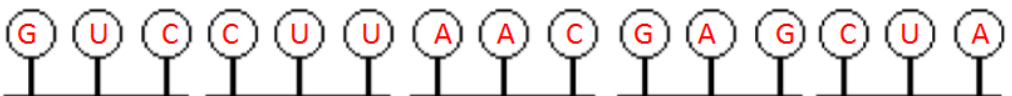
3.  **tRNA**


4.  **Amino Acids**

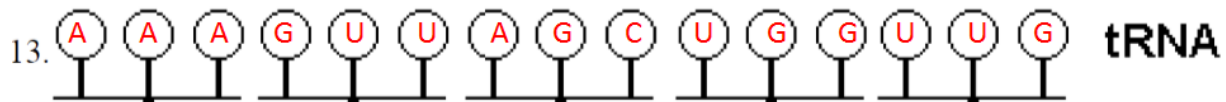
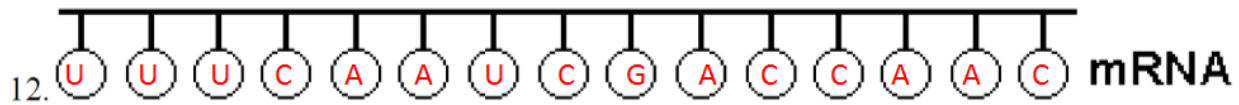
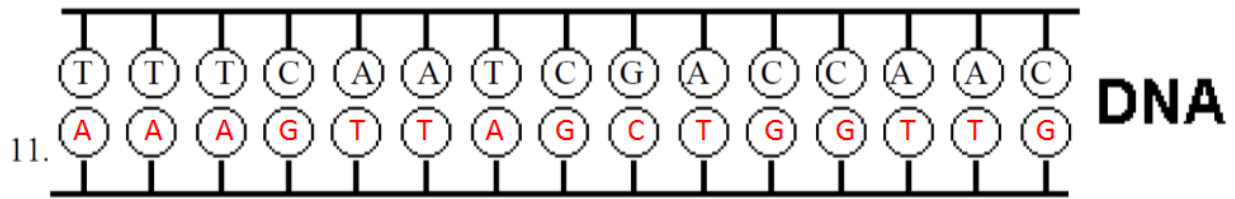
5. mRNA is synthesized in translation or transcription?
6. mRNA has codons or anti-codons?

7.  **DNA**

8.  **mRNA**

9.  **tRNA**

10.  **Amino Acids**



15. 1 or 3 codons equal one amino acid?
16. tRNA brings amino acids to the nucleus or **ribosome**?
17. A polypeptide is a sequence of proteins or **amino acids**?
18. tRNA has codons or **anti-codons**?
19. tRNA transfers amino acids during **translation** or transcription?
20. Ribosomes are the site where **translation** or transcription takes place?

